



## ZP755W

Addressable weatherproof sounder

### Developed for outdoor applications

The ZP755W is an addressable, weatherproof sounder, designed for use on ZP analogue addressable fire detection and alarm systems. The sounder has been developed for outdoor applications, or for use in areas where the ingress of water can be expected, for example where hygiene requirements demand regular washing or hosing down of the protected area.

Installed directly onto and powered by the ZP wiring loop, the ZP755 range enables the system designer to offer a complete ZP analogue addressable system on a single pair of wires. Installation costs are greatly reduced, whilst system integrity, sounder options and programmed alarm organisation are significantly increased.

### Self test facility

The unit's high efficiency acoustic design, together with a low energy, 'sound gun' transducer, provides a forward sound dispersion with an output of 105 dBA. A volume control is included for areas where a reduced sound output is required. The control can be set to limit the sound output by up to 75% of the full volume.

The ZP755 range features a unique self test facility - automatically activated during routine sounder testing. A built in microphone circuit measures sound output level and automatically signals the sounder address and location to the control panel, should volume fall below the expected test level.

### Range of sound outputs

In systems where loop lengths or current requirements are excessive, ZP755 sounders can be powered directly from an external power supply. All ZP755 sounders incorporate switch settings enabling them to be assigned a unique address, which is polled by the panel every two seconds. Continuous, intermittent and two-tone outputs are available, from which any combination can be chosen to provide alert and evacuate, two stage alarms. All sound types comply with most international codes (e.g. BS 5839 Part 1 recommended frequencies).

Sounder enclosures are of moulded, high impact, red thermoplastic, designed for surface wiring.



### Standard Features

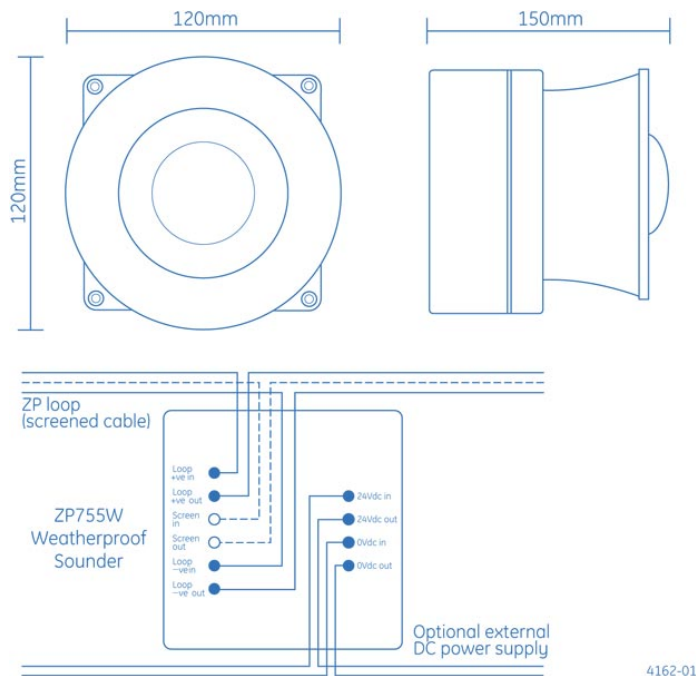
- Rated IP 65
- 105 dBA sound output
- Microphone self test facility
- High efficiency sound gun transducer

# ZP755W

Addressable weatherproof sounder

## Specifications

Model No	ZP755W-R
Specification	EN54 Part 3
Description	Addressable weatherproof sounder
Compatibility	ZP3 systems, note - sound options may vary for ZP5 and ZP3 systems with early software versions
Mounting	Surface mounting
Wiring	2 core loop
Monitoring	Open and short circuit fault, sound level - self test facility
Sound output	105 dBA (at 1m)
Sound types	Tone 1 - continuous 980Hz Tone 2 - intermittent 980Hz (0-5secs on/off) Tone 3 - two tone warble 980Hz/670Hz
Sound distribution	Narrow
Operating voltage	16 - 24 Vdc
Current	600uA quiescent, 5.0 mA active
Max number	85 per 1km loop (subject to cable size and sounder spacing)
Application	Indoor installation
EN60529 rating	IP65
Temperature range	-10°C to +70°C
Humidity range (at 40oC)	10% to 95% RH (non condensing)
EMC	CE marked (EEC89/336)
Material	Moulded thermoplastic
Dimensions	120 mm (W) x 120 mm (H) x 150 mm (D)
Colour	Red
Weight	300g
Publication No	PS1306



4162-01

## Ordering Information

Part No.	Description
ZP755W	Addressable weatherproof sounder

As a company of innovation, GE Security reserves the right to change product specifications without notice. For the latest product specifications, visit GE Security online or contact your GE Security sales representative.

IPS-ZP755W-2007-07-31 11:15:38 Released : 16.07.2007

UK Sales: 8 Newmarket Court, Chippenham Drive, Kingston, Milton Keynes, MK10 0AQ, United Kingdom, Telephone +44 (0) 1908 281981, Fax +44 (0) 1908 282554  
South Africa: Zitton House, 555 Voortrekker Road, Maitland, 7405, P.O. Box 181, Maitland, 7404, South Africa, Telephone +27 (0)21 506 6000, Fax +27 (0)21 506 6050