

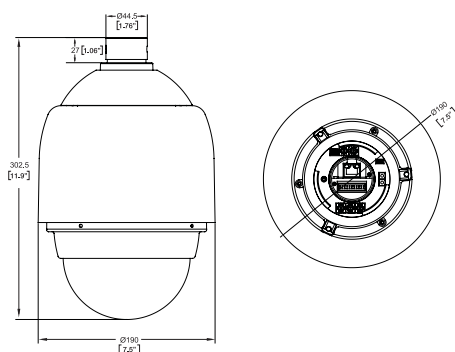
TCM-6610/TCM-6630

18x Zoom H.264 IP D/N Outdoor
Speed Dome/35x Zoom H.264 IP D/N
Outdoor Speed Dome



- 1/4" Sony EXview HAD Interlaced Scan CCD (TCM-6610) / 1/4" Hitachi Progressive Scan CCD (TCM-6630)
- Day and night function with mechanical IR cut filter
- Minimum illumination 0.01 lux at F1.4
- 18x optical zoom (TCM-6610) / 35x optical zoom (TCM-6630)
- 25/30 fps at full D1 resolution
- Selectable H.264, MPEG-4 SP, MJPEG compressions with dual streaming
- Two-way audio
- Video motion detection
- Digital input and digital output
- Wide Dynamic Range (TCM-6630)
- Analog video output with 530 TVL (TCM-6610) / 540 TVL (TCM-6630)
- Weatherproof IP66 rated casing
- TCM-6610N/ TCM-6630N (NTSC)
- TCM-6610P/ TCM-6630P (PAL)

DIMENSION DIAGRAM



Unit: mm [inch]

ACCESSORY OPTIONS

Dome Cover		
PDCX-1001		5.8-inch, transparent, vandal proof
PDCX-0001		5.8-inch, transparent, non-vandal proof
PDCX-0103		5.8-inch, smoke, non-vandal proof

Popular Mounting Solutions		
Wall	PMAX-0307	
Pendant	PMAX-0109	
Corner	PMAX-0306 PMAX-0402	
Pole	PMAX-0306 PMAX-0502	

* For more mounting solutions, please refer to Mounting Accessory section of Buyer's Guide or Project Planner on www.acti.com

* All specifications are subject to change without notice.
* All brand names and registered trademarks are the property of their respective owners.

TCM-6610/TCM-6630**PRODUCT SPECIFICATION**

	TCM-6610	TCM-6630
• Device		
Device Type	Speed Dome Camera	
Image Sensor	Sony EXview HAD Interlaced Scan CCD	Hitachi Progressive Scan CCD
Sensor Size	1/4" (3.2 x 2.4 mm)	
Horizontal Resolution	530 TVL	540 TVL
Day / Night	Yes	
Minimum Illumination	Color: 0.1 lux; B/W: 0.01 lux	
Color to B/W switch	DSP based switch, configurable	
Mechanical IR Cut Filter	Yes	
IR Sensitivity Range	700 - 1100 nm	
IR LED	No	
Electronic Shutter	1/1 - 1/10,000 sec (NTSC/PAL)	1/1 - 1/30,000 sec (NTSC/PAL)
• Lens		
Focal Length	Zoom, f4.1 - 73.8 mm / F1.4 - 3.0	Zoom, f3.4 - 119 mm / F1.4 - 4.2
Iris	Auto iris	
Focus	Auto focus	
Horizontal Viewing Angle	48° - 2.8°	55.8° - 1.7°
• PTZ		
Zoom Ratio	18x optical; 12x digital	35x optical; 12x digital
Zoom Speed	2.1 sec (1x to 18x)	4.6 sec (1x to 35x)
Manual Panning Speed	1° ~ 90° /s	
Manual Tilting Speed	1° ~ 90° /s	
Preset Panning Speed	5° ~ 400° /s	
Preset Tilting Speed	5° ~ 400° /s	
Panning Range	0° ~ 360° endless	
Tilting Range	-10° ~ 100°	
Control	Remote manual control; 256 preset points; 8 preset tours; auto scan	
Preset Panning Accuracy	0.225°	
Preset Tilting Accuracy	0.45°	
Absolute Position	Yes	
Protocol	DSCP, Pelco P, Pelco D, AD422, Philips, Kalatel, VCL, JVC, etc.	
• Video		
Compression	H.264, MPEG-4 SP, MJPEG	
Maximum Frame Rate vs. Resolution	30 fps at 720 x 480 (Full D1, NTSC); 25 fps at 720 x 576 (Full D1, PAL) 30 fps at 352 x 240 (CIF, NTSC); 25 fps at 352 x 288 (CIF, PAL) 30 fps at 160 x 112 (QCIF, NTSC); 25 fps at 176 x 144 (QCIF, PAL)	
Multi-Streaming	Simultaneous dual streams based on two configurations	
Bit Rate	28 Kbps - 6 Mbps (per stream)	
Bit Rate Mode	Constant, Variable	
S/N Ratio	More than 50 dB	
Image Enhancement	Backlight compensation; White balance: automatic, predefined and manual; Brightness; Saturation; Contrast; Automatic gain control	Wide dynamic range; Backlight compensation; White balance: automatic, predefined and manual; Brightness; Saturation; Contrast; Automatic gain control
Privacy Mask	24 configurable regions	8 configurable regions
Text Overlay	User defined text on video	
Image Orientation	Image flip and mirror	
• Audio		
Compression	8 kHz, Mono, PCM, 16 bit encoding	
Audio-In	3.5 mm Phone Jack	
Audio-Out	3.5 mm Phone Jack	
• Network		
Protocol & Service	TCP, UDP, HTTP, HTTPS, DHCP, PPPoE, RTP, RTSP, IPv6, DNS, DDNS, NTP, ICMP, ARP, IGMP, SMTP, FTP, UPnP	
Ethernet Port	1, Ethernet (10/100 Base-T), RJ-45 connector	
Security	IP address filtering; HTTPS encryption; Password protected user levels	
• Alarm		
Alarm Trigger	Video motion detection (3 regions); External device through digital input	
Alarm Response	Notify control center; Go to PTZ preset point or preset tour; Change camera settings; Command other devices; E-mail notification with snapshots; Upload video, snapshot to FTP server; Activate external device through digital output	
• Interface		
Analog Video Output	1, CVBS, 1.0Vp-p with 75 Ω BNC connector	
Digital Input	8, terminal block	
Digital Output	1, terminal block	
• General		
Power Source / Consumption	AC 24V / 65 W (heater on)	
Weight	5800 g (12.9 lb)	
Dimensions (Ø x H)	172 mm x 302.5 mm (6.7" x 11.9"); 190 mm x 302.5 mm (7.5" x 11.9") with sunshield	
Environmental Casing	Weatherproof (IP66 rated); Transparent dome cover	
Mount Type	Pendant, Wall, Corner, Pole	
Operating Temperature	-45 °C ~ 50 °C (-49 °F ~ 122 °F)	
Operating Humidity	10% ~ 85% RH	
Approvals	Camera: CE, FCC, IP66; Adapter: CE, TUV-GS, UL, RCM, CCC	
• Integration		
Unified Solution	Fully compatible with ACTi software	
ISV Integration	Software Development Kit (SDK) available	
Firmware Access Browser	Microsoft Internet Explorer 6.0 or newer	